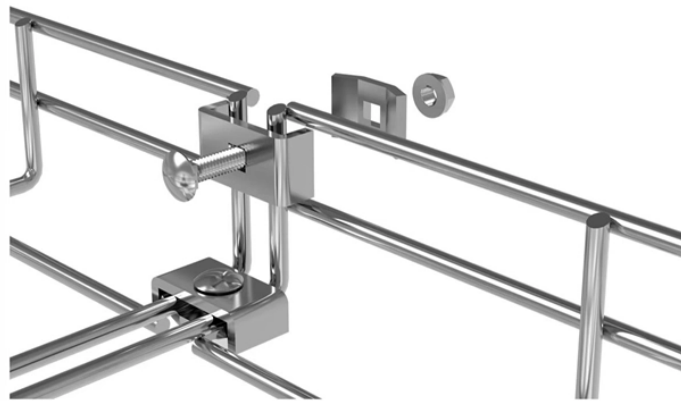


Which optical cable equipment manufacturer is the best



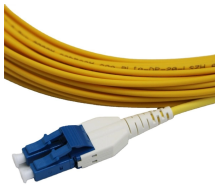
Overview

This updated list ranks the 20 largest fiber-optic cable companies worldwide and summarizes what each vendor is best known for—core product lines, regional strengths, and typical project fit. Use it as a fast shortlist when planning new FTTH/FTTA or data-center builds. As a pioneer in fiber optic technology, Corning sets industry benchmarks through. Here's an updated list of the best fiber optic cable manufacturers, with FS and PHILISUN among the leaders driving innovation and connectivity worldwide. With the global fiber optic cable market valued at \$13.46 billion annually, choosing from the best fiber optic manufacturers ensures your. As the world accelerates toward 5G, AI-driven networks, and global data explosion, fiber optic cables remain the gold standard for reliable, ultra-fast data transmission. Founded in 1851, Corning offers a wide range of.

Which optical cable equipment manufacturer is the best



Looking for top fiber optic cable manufacturers in the USA? We review industry leaders like Corning & AFL, and compare them with high-performance global alternatives for better ROI in 2025.



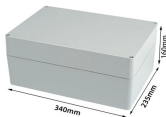
From coast-to-coast telecommunications networks to data centers powering cloud computing, these suppliers enable the high-speed connectivity that modern businesses and ...



Top 15 Fiber Optic Cable Manufacturers of 2026 represent the backbone of our digital era, supporting everything from AI-driven cloud computing to the rapid expansion of 5G and 6G networks.



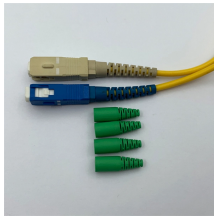
This ranking of the top 10 fiber optic cable manufacturers in 2025 is based on factors like market share, technological innovation, global reach, sustainability efforts, and product ...



Finding the best manufacturer requires balancing quality and cost. This guide reveals the Top 10 Fiber Optic Cable Manufacturers in 2025, and shares the secret to maximizing ROI: ...



With 80+ years of expertise, Superior Essex ranks among America's top fiber optic cable manufacturers. The company designs and produces high-performance communications ...



Here we profile the Top 10 Optical Fiber Companies - innovators shaping the future of telecommunications, data centers, and industrial applications through cutting-edge fiber solutions.



Discover the best fiber optic manufacturers globally, offering cutting-edge multimode and single mode fiber solutions. See who tops the list for quality and innovation.



This updated list ranks the 20 largest fiber-optic cable companies worldwide and summarizes what each vendor is best known for—core product lines, regional strengths, and typical project fit.



Whether you need high-quality fiber optic cables for telecommunication, data centers, or network infrastructure, the manufacturers listed above provide reliable and innovative solutions to ...

Contact Us

For more information, pricing, or custom solutions, please contact us:

Website: <https://www.indzawo.co.za>

Email: sales@indzawo.co.za

Phone: +27 71 296 8473

Address: 22 Quantum Street, Midrand, 1685, Gauteng, South Africa

This document is for informational purposes only. Specifications subject to change without notice.

