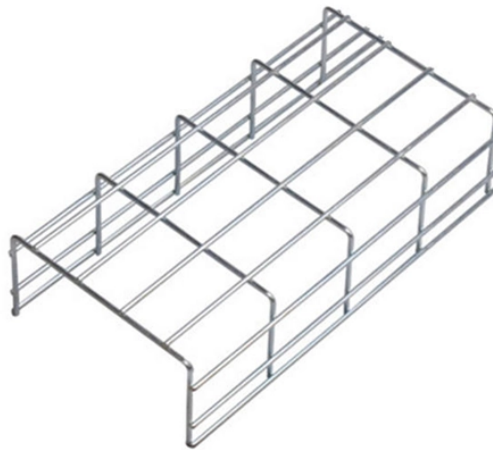


## What is the purpose of a photovoltaic junction box

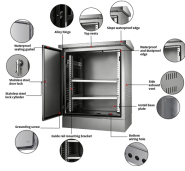


### Overview

A junction box for solar panels is a key component that functions as the central hub of electrical connections of the solar cells. It is a small component, typically about 15 by 10 centimeters, but junction box failures account for a. This small device plays a critical role in protecting the panel, ensuring reliable connections, and keeping the solar system operating at peak performance. The majority of junction box manufacturers are nowadays based in China.



## What is the purpose of a photovoltaic junction box



A solar panel junction box is a crucial component in solar energy systems, serving as the interface between solar panels and the electrical system while providing protection and efficient ...



But hidden behind the scenes of every solar panel is a small but crucial component called the solar junction box. This tiny, often overlooked device is crucial to ensure that the electricity ...



A solar panel junction box is an essential component of a solar energy system that is responsible for connecting multiple solar panels together. It is a weatherproof enclosure that houses ...



A solar junction box is a weatherproof enclosure on the back of a solar panel. It protects internal electrical connections, combines current from solar cells, and routes it to the system's wiring.



The junction box is a weatherproof enclosure mounted on the back of every solar panel that houses the bypass diodes and connects the panel's internal cell wiring to the external output cables.



Typically mounted on the back of the solar panel, junction boxes for solar panels house essential electrical components responsible for managing and distributing the electricity generated by ...



A PV junction box is attached to the back of the solar panel (TPT) with silicon adhesive. It wires the (usually) 4 connectors together and is the output interface of the solar panel.



The junction box protects the solar panel from damage in the event of shading, partial damage, or electrical overload. The junction box contains bypass diodes, which allow current to flow ...



A PV junction box is a protective enclosure mounted on the back of a solar panel. It serves as the panel's "nerve center," connecting the solar cells to the external cables that transmit ...



A junction box is a sealed enclosure mounted on the rear side of a solar panel that serves as the electrical connection point between the photovoltaic cells inside the module and the external DC wiring.

## Contact Us

For more information, pricing, or custom solutions, please contact us:

Website: <https://www.indzawo.co.za>

Email: [sales@indzawo.co.za](mailto:sales@indzawo.co.za)

Phone: +27 71 296 8473

Address: 22 Quantum Street, Midrand, 1685, Gauteng, South Africa

This document is for informational purposes only. Specifications subject to change without notice.

