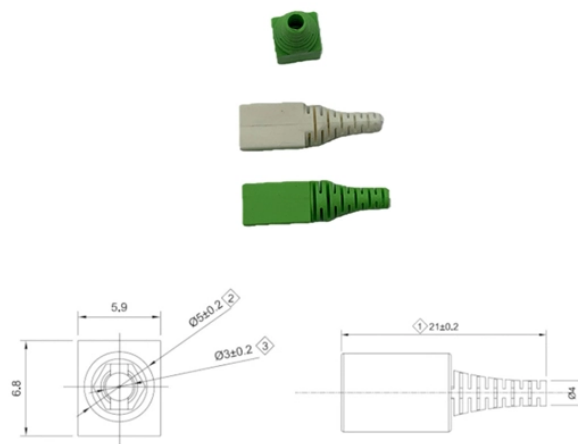


Three-year warranty for OLT optical line terminal DML



Overview

UBIQUITI NETWORKS, Inc (“UBIQUITI NETWORKS”) warrants that the product(s) furnished hereunder (the “Product(s)”) shall be free from defects in material and workmanship for a period of one (1) year from the date of shipment by UBIQUITI NETWORKS under normal use and operation. This Quick Start Guide is designed to guide you through installation and also includes warranty terms. TERMS OF USE: All Ethernet cabling runs must use CAT5 (or above). It is the professional installer's responsibility to follow local country regulations, including operation within legal frequency. ET0412 & ET0816 is highly integrated, medium-capacity EPON OLT for operators, ISPs, enterprises and park applications. The product follows the IEEE802.3ah technical standard, The product has good openness, strong compatibility, high reliability, and complete software functions. It can be widely used. The FD1604SB0 GPON OLT is a 1U optical line terminal device with L3 function developed by CDATA. It has the characteristics of high performance and ecologically safe, and also. FlexSym Optical Line Terminal Two (OLT2) The Tellabs FlexSym® OLT2 Optical Line Terminal is a multi-purpose Optical Line Terminal (OLT) enabling open,

simple, and scalable connectivity for wired and wireless networks over fiber and copper networks. High-Speed Uplink Ports: Provides 2× 10GE SFP+ ports and 1× gigabit uplink port. Modern OLTs offer communication service providers (CSP) the ability to launch multigigabit services to tens of thousands of subscribers from a single location or just ten.

Three-year warranty for OLT optical line terminal DML



An optical line termination (OLT), also called an optical line terminal, is a device which serves as the service provider endpoint of a passive optical network.



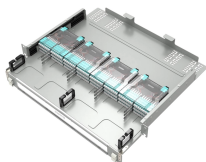
The FD1604SB0 GPON OLT is a 1U optical line terminal device with L3 function developed by CDATA. It is compliant with IEEE802.3ah and CTC 2.1 / 3.0 standards, and easy to build an EPON network ...



Optical Line Terminal (OLT) - Device that aggregates all optical signals from ONTs into a single multiplexed beam of light which is then converted into an electrical signal, formatted to ...



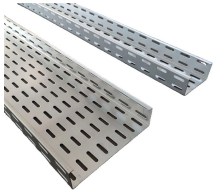
Zyxel's GPON OLTs offer advanced signal processing for dense deployments. Upgrade to gigabit symmetric services today and prepare for tomorrow's technologies.



We offer OLT devices that deliver distinct and differentiated value for different network operator segments, whether a national incumbent, emerging regional, or rooted in telecom or cable operations.



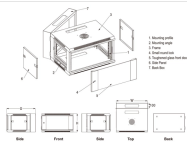
DeltaStream 8-port Pizza-box GPON Optical Line Terminal. Compact high performance GPON OLT for medium and small operator.



This Quick Start Guide is designed to guide you through installation and also includes warranty terms. TERMS OF USE: All Ethernet cabling runs must use CAT5 (or above).



In short: The OLT (Optical Line Terminal) is the central control unit of a Passive Optical Network (PON). It converts data signals, manages bandwidth, and connects hundreds of users over ...



3. 1 years warranty, within 1 year due to quality problems damage only replacement and not refund. 4. Technical support, engineers remotely assist you to solve technical problems, Top customers enjoy ...



The Tellabs FlexSym® OLT2 Optical Line Terminal is a multi-purpose Optical Line Terminal (OLT) enabling open, simple, and scalable connectivity for wired and wireless networks over fiber and ...

Contact Us

For more information, pricing, or custom solutions, please contact us:

Website: <https://www.indzawo.co.za>

Email: sales@indzawo.co.za

Phone: +27 71 296 8473

Address: 22 Quantum Street, Midrand, 1685, Gauteng, South Africa

This document is for informational purposes only. Specifications subject to change without notice.

