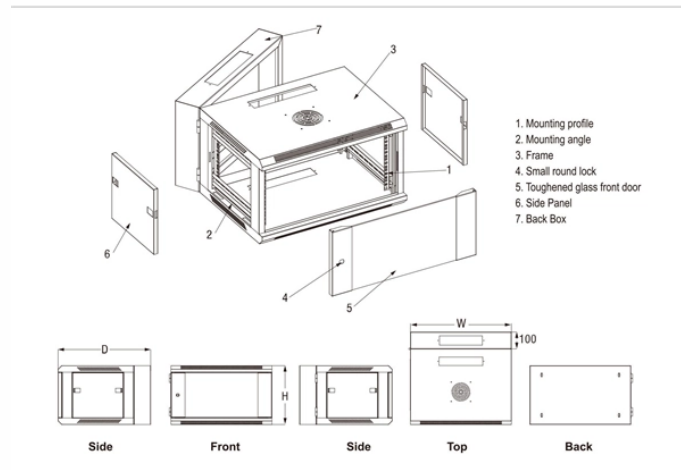


Sri Lanka Fiber Optic Connector Custom Manufacturer



Sri Lanka Fiber Optic Connector Custom Manufacturer



After gradually improving our business we started our own manufacturing plant for making optical fiber patch codes, pig tails and patch panels.



Choose J Teem Solutions for all your fiber optic network requirements in Kurunegala, Sri Lanka. Our fiber solutions are designed to provide fast and reliable connectivity, ensuring that you stay ...



Our company is a master in providing System Integration Managed IT Solution. We are the largest PCB prototype enterprise in Sri Lanka and a high-tech manufacturer specializing in quick PCB prototype ...



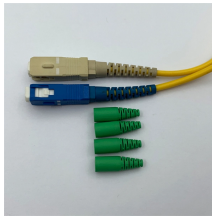
At Netcom Technologies, we work with you to design and install a fiber optic network that meets your specific needs and budget. Our team of experts will take the time to understand your requirements ...



Explore Eastlink's full range of fiber network products - from cables and connectors to patch panels and termination kits.



Leading, professional, experienced and globally recognized fiber optical, networking hardware and service provider in Sri Lanka - TG Genex.



T& G is a leading supplier of electrical and fiber optical cable systems, harness solutions and connectors for space, telecommunication and offshore applications.



Understanding these factors will provide a comprehensive view for anyone interested in entering or investing in the fiber optic cable manufacturing sector in Sri Lanka.

Contact Us

For more information, pricing, or custom solutions, please contact us:

Website: <https://www.indzawo.co.za>

Email: sales@indzawo.co.za

Phone: +27 71 296 8473

Address: 22 Quantum Street, Midrand, 1685, Gauteng, South Africa

This document is for informational purposes only. Specifications subject to change without notice.

