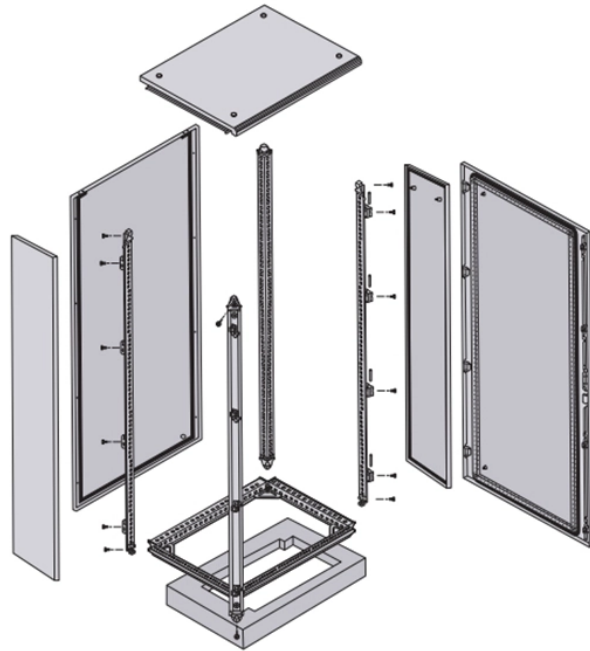
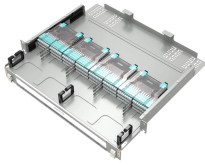


## Simple Optical Cable Reel Making



## Simple Optical Cable Reel Making



Simple describes something as being easy to understand or do, as being plain or not elaborate, or as being ordinary or common. The word simple has many other senses as an adjective and a noun.



Simple definition: Having few parts or features; not complicated or elaborate.



A complete guide to engineering and verifying a retractable cord reel's mechanical tension and electrical safety.



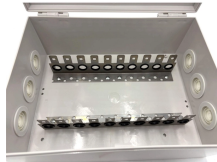
A retractable cord reel is a tool to spiral the unused part of a long cable. Besides, only the portion of the cord that is used will be exposed.



We would like to show you a description here but the site won't allow us.



Simple refers to something that's easy and uncomplicated, without too many steps to follow.



If a problem is simple or if its solution is simple, the problem can be solved easily. Some puzzles look difficult but once the solution is known are actually quite simple. The answer is simple. I cut my ...



In this video, we show you how to make a cheap cable reel in under 40 minutes. Perfect for organizing your cables and keeping your workspace tidy, this easy DIY project requires minimal ...



The meaning of SIMPLE is free from guile : innocent. How to use simple in a sentence. Synonym Discussion of Simple.



SIMPLE definition: 1. easy to understand or do; not difficult: 2. used to describe the one important fact, truth.... Learn more.



You can easily make an extension cable reel by downloading this plan. Believe it is easy, just watch the video. With this reel, it is possible to put an end to cable mess.



Extension Cord Reel: Yesterday I stopped in a Goodwill store and found a 100ft, 14 gauge extension cord... for \$15! I looked it up online and the same exact cord sells new for \$40-\$80 depending on ...



1. not involved or complicated; easy to understand or do: a simple problem. 2. plain; unadorned: a simple dress. 3. consisting of one element or part only; not combined or complex: a simple mechanism.



(prenominal) ordinary or straightforward: a simple case of mumps (of a substance or material) consisting of only one chemical compound rather than a mixture of compounds



simple (comparative simpler or more simple, superlative simplest or most simple)  
Uncomplicated; lacking complexity; taken by itself, with nothing added. synonyms, antonym quotations



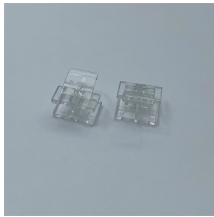
☐☐ I used a cheap Harbor Freight hose reel to make my own DIY Retractable Cable Reel, and its SUPER EASY and a lot CHEAPER than buying one for \$300-\$500, or MORE!! ...more



General purpose reel for anything. Can take any cable up to 3.6 mm width and ~150cm length. (The one in the photos has 3.4mm width and 130cm length.) Insert the cable from the bottom ...



This easy weekend project is a great way to keep your extension cords (up to 100") untangled and ready for use, as well as reel them back up at record speed. While the loose end of ...



Our plan below is for a simple fixed reel mounted to a wooden post or column, with an extended cross to help keep the cord or hose on the reel. Once you get the hang of creating these reels, you can locate ...



Simply insert the cable or string, making sure to turn it in the right direction (it should get caught in a notch). Wind it, and that's pretty much it. Just make sure you don't twist the cable or ...

## Contact Us

For more information, pricing, or custom solutions, please contact us:

Website: <https://www.indzawo.co.za>

Email: [sales@indzawo.co.za](mailto:sales@indzawo.co.za)

Phone: +27 71 296 8473

Address: 22 Quantum Street, Midrand, 1685, Gauteng, South Africa

This document is for informational purposes only. Specifications subject to change without notice.

