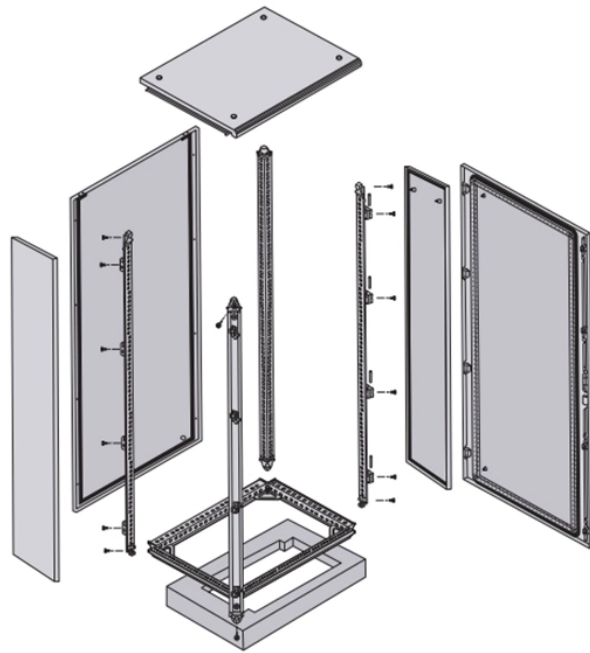


Libya Solution Integrated Distribution Cabinet 1MWh



Libya Solution Integrated Distribution Cabinet 1MWh



Meet the photovoltaic energy storage cabinet – the unsung hero making solar power work through Netflix binge nights and cloudy days. Let's cut through the industry jargon and explore what these ...



Our air-cooled and liquid-cooled ESS cabinets are engineered as safe, fully integrated systems that simplify installation and maintenance. Designed to address a wide range of operational ...



The air-cooled integrated energy storage cabinet adopts the "All in One" design concept, integrating long-life battery cells, efficient bidirectional balancing BMS, high-performance PCS, active safety ...



Featuring lithium-ion batteries, integrated thermal management, and smart BMS technology, these cabinets are perfect for grid-tied, off-grid, and microgrid applications.



Summary: As Libya seeks to modernize its energy infrastructure, Benghazi emerges as a key hub for photovoltaic (PV) energy storage systems. This article explores how integrated solar storage devices ...



This article explores the growing solar storage market in Libya, innovative solutions for desert climates, and how manufacturers are driving the nation's green energy transition.



Let's cut to the chase - when you hear "energy storage project in Libya," your brain might default to oil barrels or desert heat. But hold onto your solar panels, folks! The North Asia Libya Energy Storage ...



Looking for reliable energy storage solutions in Libya? This guide breaks down factory pricing trends, technical specifications, and application scenarios for industrial/commercial energy storage cabinets.



It includes an all-in-one cabinet with integrated BMS, EMS, fire suppression, and climate control for optimal performance. Fast deployment is ensured through plug-and-play installation, minimizing site ...



Libya's energy landscape is at a crossroads. With abundant sunshine (averaging 3,500+ hours annually) but frequent grid instability, distributed energy storage cabinets have become critical for solar ...

Contact Us

For more information, pricing, or custom solutions, please contact us:

Website: <https://www.indzawo.co.za>

Email: sales@indzawo.co.za

Phone: +27 71 296 8473

Address: 22 Quantum Street, Midrand, 1685, Gauteng, South Africa

This document is for informational purposes only. Specifications subject to change without notice.

