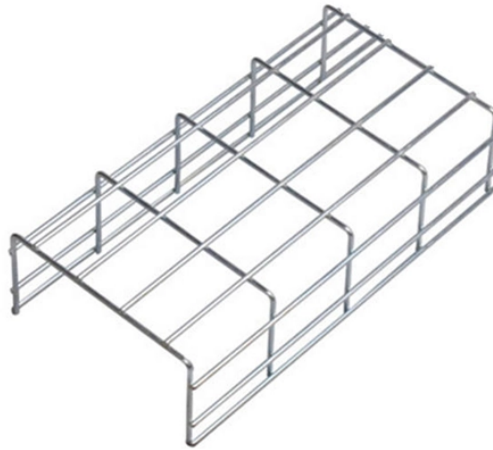


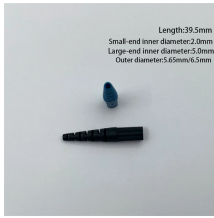
Lebanese retail OTN router QSFP



Overview

We carry the complete spectrum of optical modules — from 1G SFP modules for access-layer switches to 400G QSFP-DD for hyperscale spines. Every unit is individually tested and pre-coded for plug-and-play compatibility with Cisco, Arista, Juniper, Huawei, MikroTik, and more. Founded to bring enterprise-grade fiber connectivity to Lebanon and the broader Middle East at prices that make sense. We source, test, and deliver optical transceivers and cables that your network can count on, day after day. OptiLink was built on a simple belief: world-class fiber infrastructure. QSFPTEK provides Crytek with high-density and high-reliability network solutions to help them solve cabling issues and network expansion problems in the face of future business growth. Explore how QSFPTEK enhanced Intrado Life & Safety's Emergency Response Command Center with high-bandwidth. The Quad Small Form-Factor Pluggable (QSFP) family represents a critical evolution in high-speed optical transceiver technology for data centers, telecommunications networks, and enterprise infrastructure. 3ba 40GBASE-LR4 and OTU3 G4S1-2D1 requirements specified in ITU-T Recommendation G.

Lebanese retail OTN router QSFP



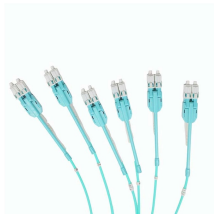
The QSFP transceiver uses a MPO/MTP interface for connecting to fiber optic cables, and can support various data rates and communication ...



Learn more about the Cisco QSFP-DD Open Line System (QDD ...



This article explores how to interconnect OSFP and QSFP-DD ports in 400G/800G networks, covering key principles, form factor differences, and practical solutions ...



Service providers are deploying coherent QSFP-DD modules directly in routers, eliminating separate transponder equipment. This architecture reduces ...



Lebanon's premier supplier of SFP, SFP+, QSFP28, GPON, and fiber optic equipment. Compatible with Cisco, Huawei, MikroTik. Serving ISPs, data centers, and enterprises across Lebanon and the ...



QSFP+ transceiver modules are designed for use in 40 Gigabit Ethernet links and 4x10G OTN client interfaces over single mode fiber. They are compliant with the QSFP+ MSA, IEEE 802.3ba ...

Contact Us

For more information, pricing, or custom solutions, please contact us:

Website: <https://www.indzawo.co.za>

Email: sales@indzawo.co.za

Phone: +27 71 296 8473

Address: 22 Quantum Street, Midrand, 1685, Gauteng, South Africa

This document is for informational purposes only. Specifications subject to change without notice.

