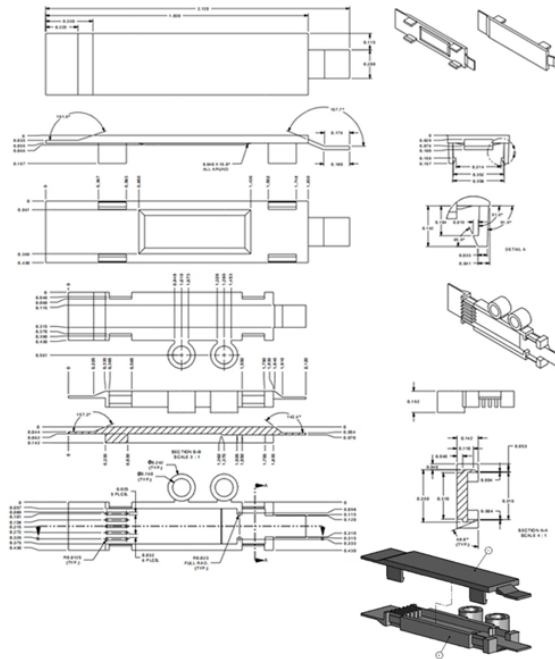


Equipment Quotation for Distribution Box Production Line



Overview

Follow this simple 10-step guide to create a quote that covers all the important details: 1. Add Your Business Details Start by including your company name, address, phone number, and email. Automatic power distribution box production line manufacturer for 150-400mm depth electric enclosure forming and bending process. Panel Width Changeable Electrical Box Production Line Electric box/exposed box/concealed box/circuit box/junction box/fiber optic box/lighting box/Melan box/household box/meter box can be fully automated with a one-time production machine, greatly saving labor. This LY-2500CK, our intelligent high speed rigid box making machine, has been equipped with IoT technology, enabling real-time monitoring of equipment operation status, parameter information, gas and electricity consumption, ensuring maximum efficiency. The box making machine features a. High Margin Customization: By offering premium, tailor-made solutions for specialized markets—such as a jewelry box machine setup for independent jewelers, an eyewear box machine for boutique optical brands, or a magnet closure box machine for luxury spirits—you can command significantly higher. The document details the technical

specifications and production process of a distribution box roll forming machine by Shenzhen Superda Machine Co.

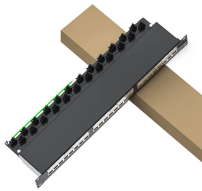
Equipment Quotation for Distribution Box Production Line



The mechanical arms, conveyor belts and other equipment in the production line can complete assembly, welding, spraying and other processes at high speed and stability, greatly reducing the ...



Contact the distribution box manufacturer directly. You can contact them through their official website, customer service phone or email, ask them for engineering custom quotations, and provide relevant ...



Worker control and regulate this production line through electric control equipment. Feeding, punching, cutting, bending automatically. Very reliable and steady as the ...



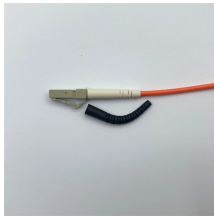
Add to cart Automatic Small Assembly line Conveyor 23.6-inch Intelligent Equipment Production line Small Intelligent Filling Machine Special Conveyor Double guardrail, Including Optical Fiber Sensor ...



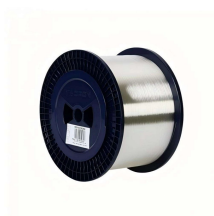
Golden Heavy Engineering Company offers a techno-commercial proposal for the supply of a distribution section before the pelletizing process in a biomass pellets production line. The document outlines the ...



This production line is equipment for production of distribution boxes. The strip coil to be processed is manually placed on the uncoiler, and then corrected and tensioned.



It includes parameters for materials, forming capabilities, speed, and quality, along with a description of the production line's components and layout.



Worker control and regulate this production line through electric control equipment. Feeding, punching, cutting, bending automatically. Very reliable and ...



Searching for complete production line or equipment for rigid box making? We would welcome the opportunity to be your supplier of rigid box equipment. The LY-2500CK rigid box making machine ...



It includes parameters for materials, forming capabilities, speed, and quality, along with a description of the production line's components and layout.



These templates let you clearly list equipment, terms, and associated costs. Customize them to match your branding for a professional touch. Need a quote template that works the way you do? We've got ...



When evaluating a box forming machine or piecing together a complete rigid box production line specifically tailored for small volumes, it is imperative to prioritize features that enhance operational ...

Contact Us

For more information, pricing, or custom solutions, please contact us:

Website: <https://www.indzawo.co.za>

Email: sales@indzawo.co.za

Phone: +27 71 296 8473

Address: 22 Quantum Street, Midrand, 1685, Gauteng, South Africa

This document is for informational purposes only. Specifications subject to change without notice.

