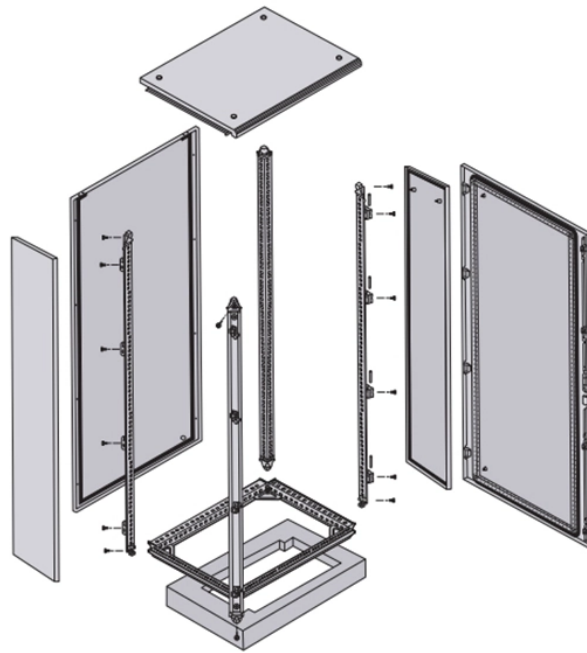
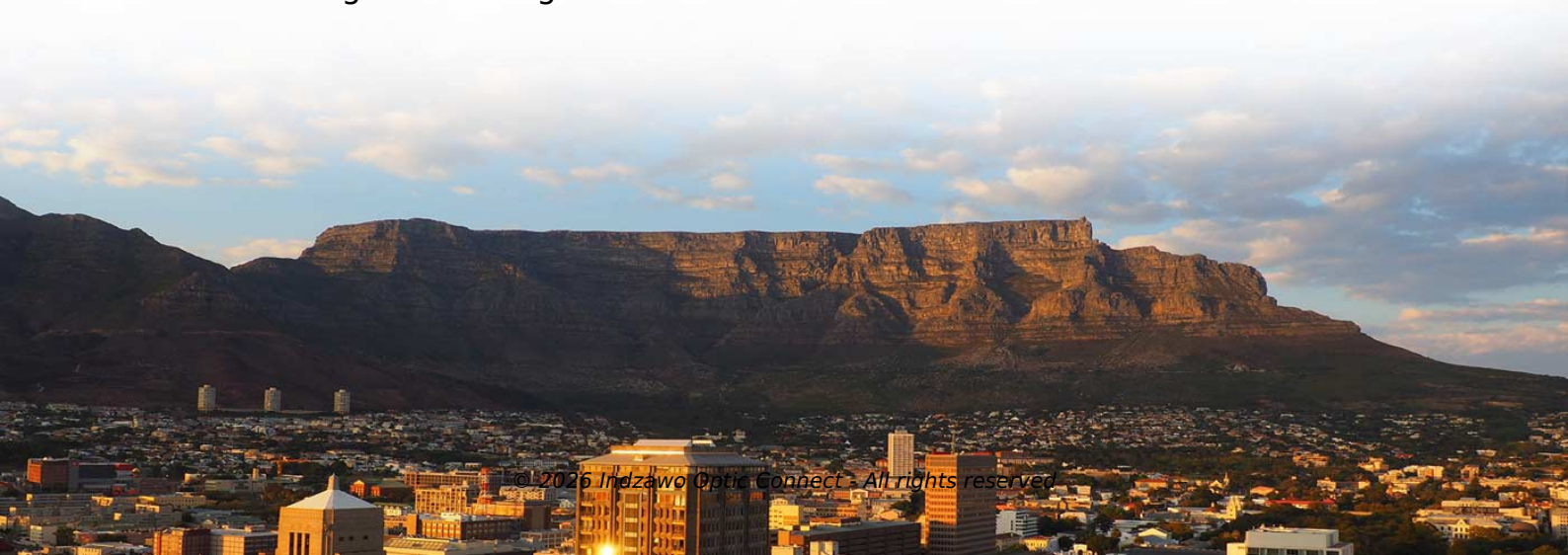


## Current Status of Underground Optical Cable Construction Abroad



### Overview

This interactive submarine cable map shows global undersea and underwater fiber optic cables connecting continents and countries worldwide. 2024, boasts a designed capacity of 192 Tbps. Chinese enterprises have developed intelligent location capabilities. These systems can automatically analyze issues such as service degradation, fiber loss variations, and pump. The rapid development of digital technologies has dramatically increased global internet bandwidth de-mand, with submarine cables today accounting for nearly 99% of intercontinental data traffic. Based on an analysis of 44 publicly reported cable damages occurring in 32 distinct.



## Current Status of Underground Optical Cable Construction Abroad



The integration of the next-generation TAM-1 submarine cable will expand Costa Rica's international connectivity capacity 23-fold. Scheduled to be operational by the last quarter of 2025, ...



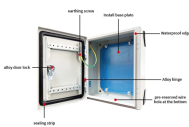
Between 2023 and 2025, a new cable boom valued at a record \$10 billion will bring an estimated 78 systems online measuring over 300,000 kilometers in length, a level of growth not seen in over 20 ...



Undersea fiber-optic cables form the foundations of global internet connectivity, transmitting over 99% of international data traffic. These cables, ...



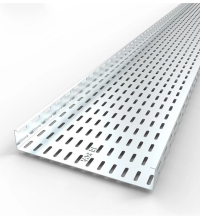
TeleGeography's comprehensive and regularly updated interactive map of the world's major submarine cable systems and landing stations.



Undersea fiber-optic cables form the foundations of global internet connectivity, transmitting over 99% of international data traffic. These cables, composed of optical fibers encased ...



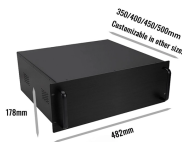
This interactive submarine cable map shows global undersea and underwater fiber optic cables connecting continents and countries worldwide. Explore cable routes, landing stations, system status ...



These undersea cables are the backbone of global communications and the internet economy. Despite their critical importance, these cables remain inadequately protected, particularly in the Indo-Pacific ...



The integration of the next-generation TAM-1 submarine cable will expand Costa Rica's international connectivity capacity 23-fold. Scheduled to be ...



Chinese enterprises as key players in the equipment manufacturing, construction and maintenance of global submarine cables. Chinese submarine cable products and services have gained widespread ...



Explore the physical backbone of the internet with our interactive map of undersea fiber optic cables, peering exchange points, and more. Visualize the growth of global connectivity.



Explore the rising threats to global submarine cable networks amid escalating geopolitical tensions, sabotage incidents, and limited repair capacity. Discover essential resilience strategies and ...



Analysys Mason's "Submarine cable database" provides details of all submarine cables that are planned, in deployment, operational or recently decommissioned.

## Contact Us

For more information, pricing, or custom solutions, please contact us:

Website: <https://www.indzawo.co.za>

Email: [sales@indzawo.co.za](mailto:sales@indzawo.co.za)

Phone: +27 71 296 8473

Address: 22 Quantum Street, Midrand, 1685, Gauteng, South Africa

This document is for informational purposes only. Specifications subject to change without notice.

