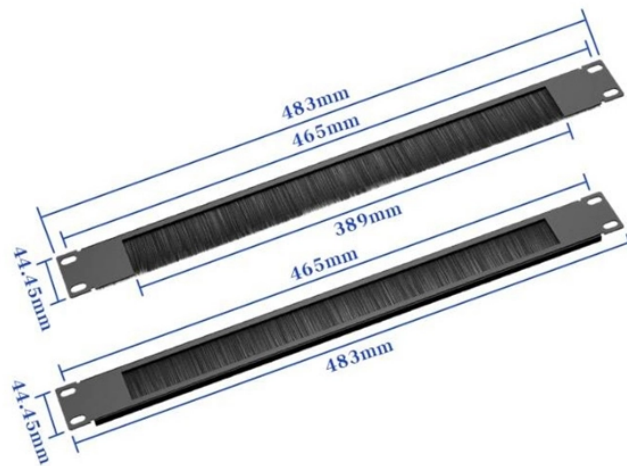


## Cable trays are mainly used for



### Overview

In the electrical wiring of buildings, a cable tray system is used to support insulated electrical cables used for power distribution, control, and communication. Cable trays are used as an alternative to open wiring or electrical conduit systems, and are commonly used for cable management in commercial and industrial construction. They are especially useful in situations. Several types of tray are used in different applications. A solid-bottom tray provides the maximum protection to cables, but requires cutting the tray or using fittings to enter or exit cables. A deep, solid enclosure for cables is common. Common cable trays are made of galvanized steel, aluminum, or glass-fiber reinforced plastic. The material for a given application is chosen based on where it will be used. Galvanized tray may be combustible. Combustible cable jackets may catch on fire and cable fires can thus spread along a cable tray within a structure. This is easily prevented through the use of fire-retardant cable jackets, or coatings applied to it.

## Cable trays are mainly used for



What is Cable Tray? In electrical cabling, a cable tray is a metallic structure used to handle insulated electrical power distribution, control, and communication cables. A cable tray is ...



Cable trays are used as an alternative to open wiring or electrical conduit systems, and are commonly used for cable management in commercial and industrial construction.



Designed to support and protect all types of wiring—including high-voltage power lines, control cables, telecommunication cables, and fiber optic cables—they ensure organized routing, easy access for ...



Cable trays are components of support systems for power and communications cables and wires. A cable tray system supports and protects both power and signal cables and facilitates ...



A cable tray is an organized support structure designed to secure and route these insulated electrical cables. It acts as a dedicated pathway for power distribution and data transmission, often supporting ...



Explore real-world cable tray applications across data centers, industrial plants, solar projects, and more. Learn which cable tray types fit your project and get expert recommendations.



A cable tray is a structural system used to support insulated electrical cables used for power distribution, communication, and control. It provides a secure pathway that prevents cable damage, simplifies ...



Cable trays play a vital role in organizing and supporting electrical cables across industrial and commercial facilities. Each type of cable tray —ladder, perforated, solid bottom, ...



Cable tray are essential components in electrical and telecommunications installations, providing a practical solution for cable tray management in both commercial and industrial ...



What are cable trays for? We explain cable trays roles in electrical systems: supporting, protecting, and organising cables safely in buildings and industry.

## Contact Us

For more information, pricing, or custom solutions, please contact us:

Website: <https://www.indzawo.co.za>

Email: [sales@indzawo.co.za](mailto:sales@indzawo.co.za)

Phone: +27 71 296 8473

Address: 22 Quantum Street, Midrand, 1685, Gauteng, South Africa

This document is for informational purposes only. Specifications subject to change without notice.

